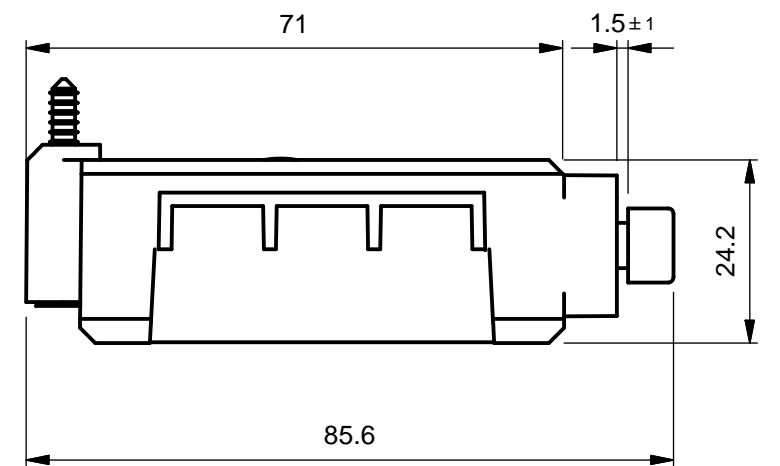
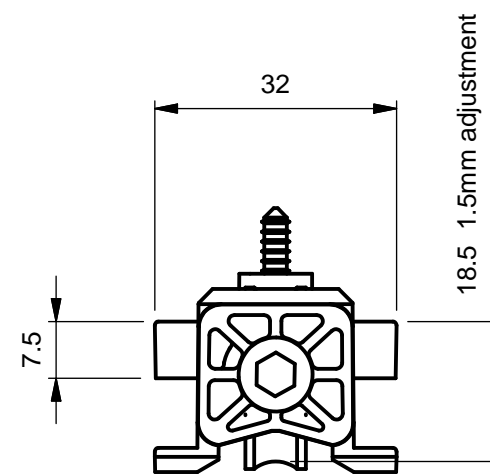
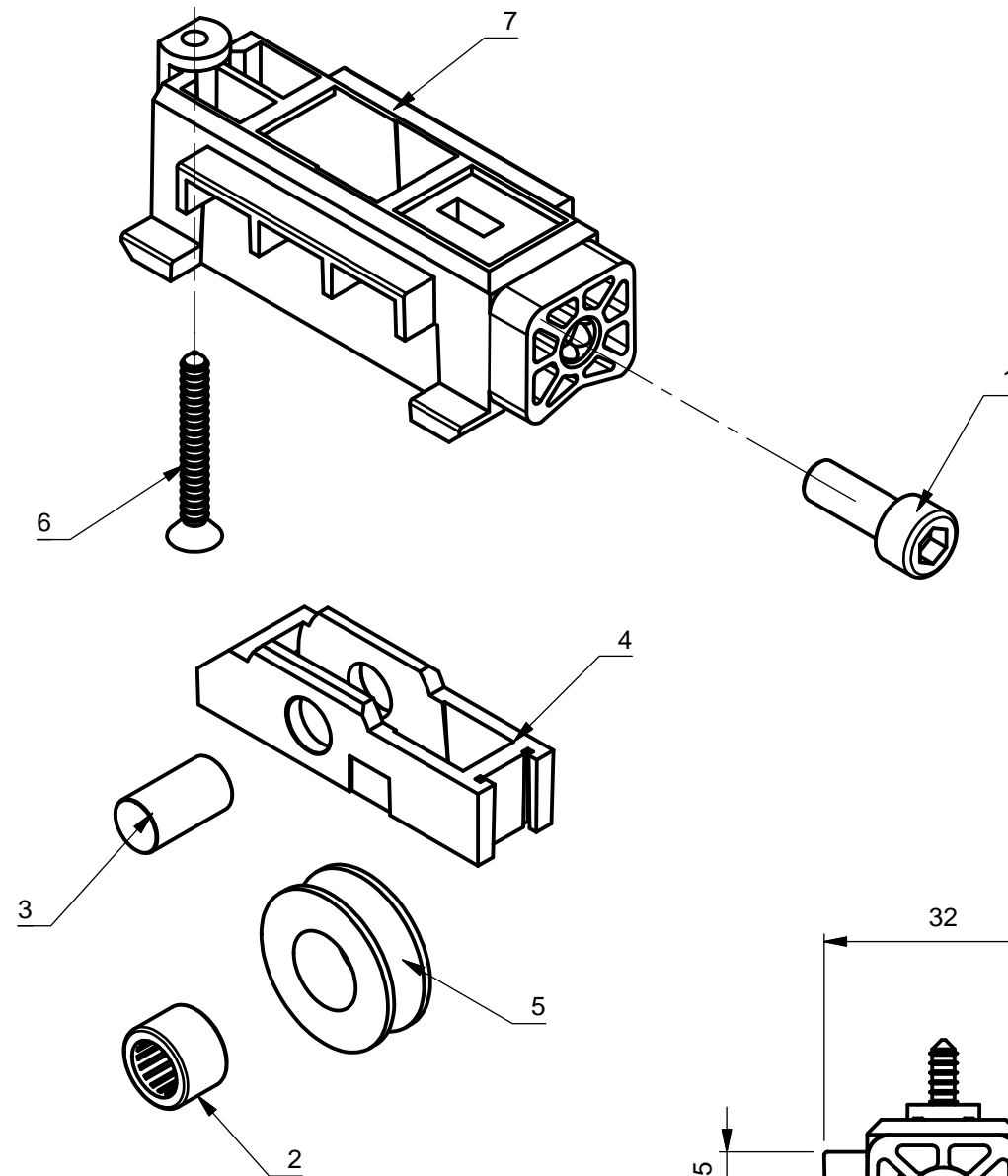
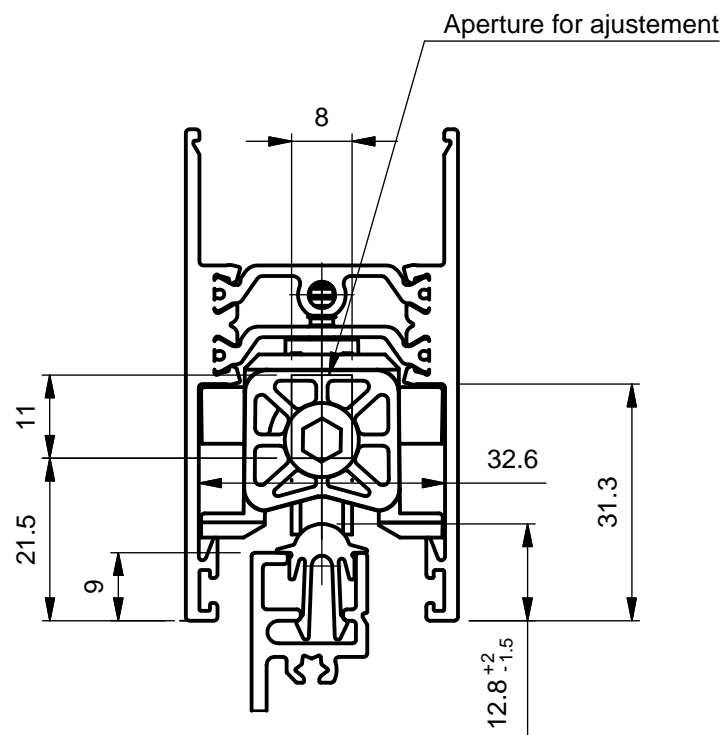


The reproduction, distribution and utilization of this document as well as the communication of its contents to others without express authorization is prohibited. Offenders will be held liable for the payment of damages. All rights reserved in the event of the grant of a patent, utility model or design.



**NOTA:**  
Roulette Sotralu réf.TECPSR12  
Charge maxi par vantail= 100daN

Pos.	Item No.	Qty.	Denomination
7	doc-0001045003	1	Corps de roulette simple Single roller body
6	doc-0001045001	1	Vis de fixation VBA FZ3.5x30 Fixing screw VBA FZ3.5x30
5	doc-0001045007	1	Roulette Wheel
4	doc-0001045002	1	Chape intérieure Interior roller body
3	doc-0001045005	1	Axe Axis
2	doc-0001045004	1	Bague de roulement Rolling
1	doc-0001045006	1	Vis de réglage roulette simple Adjusting screw

Standards		All edges and corners without dimension R =			
	Additional Description	Material		Date	Name
				14/04/2009	RAZATG
	Volume	25697 mm^3	Weight	0,172 kg	Area
				21203 mm^2	Primary Brand ID
					T441003
					Adjustable single roller
					Roulette simple réglable
					Denomination
					Sapa Building Systems France
					Doc No. DOC-0000580550
					Item No.
					4141003
					Version B
					Revision
					B
Version	Alteration	Date	Name	31037 TOULOUSE	